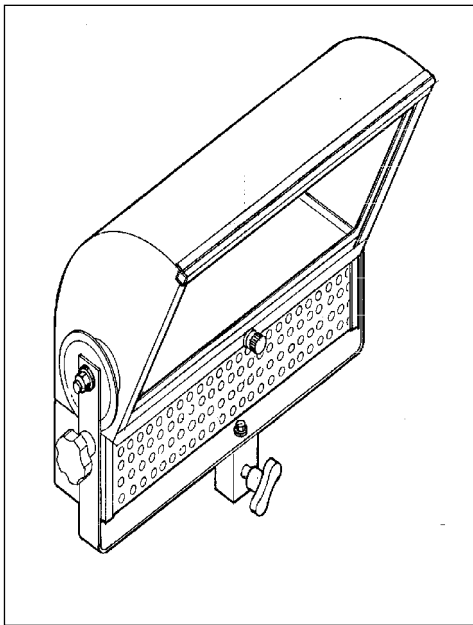
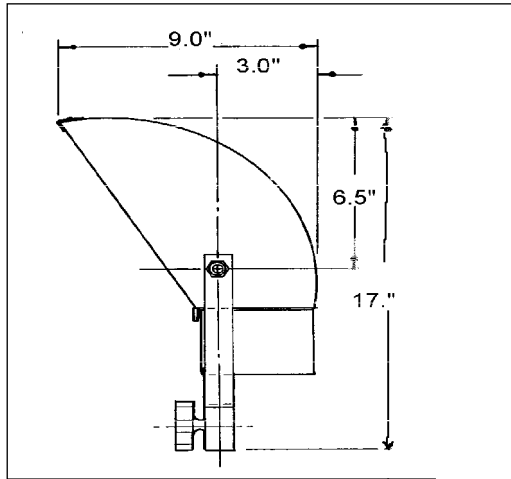


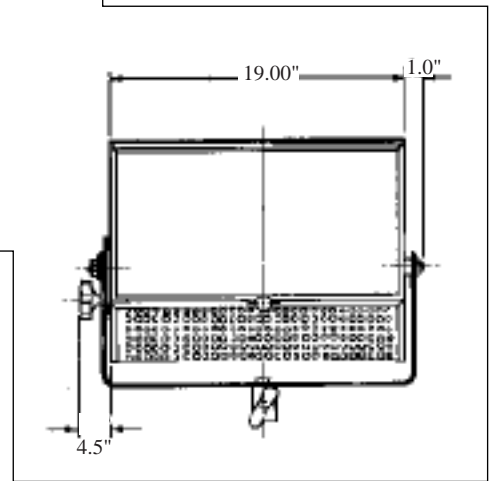
MODEL # L3300



2K MINI SOFT



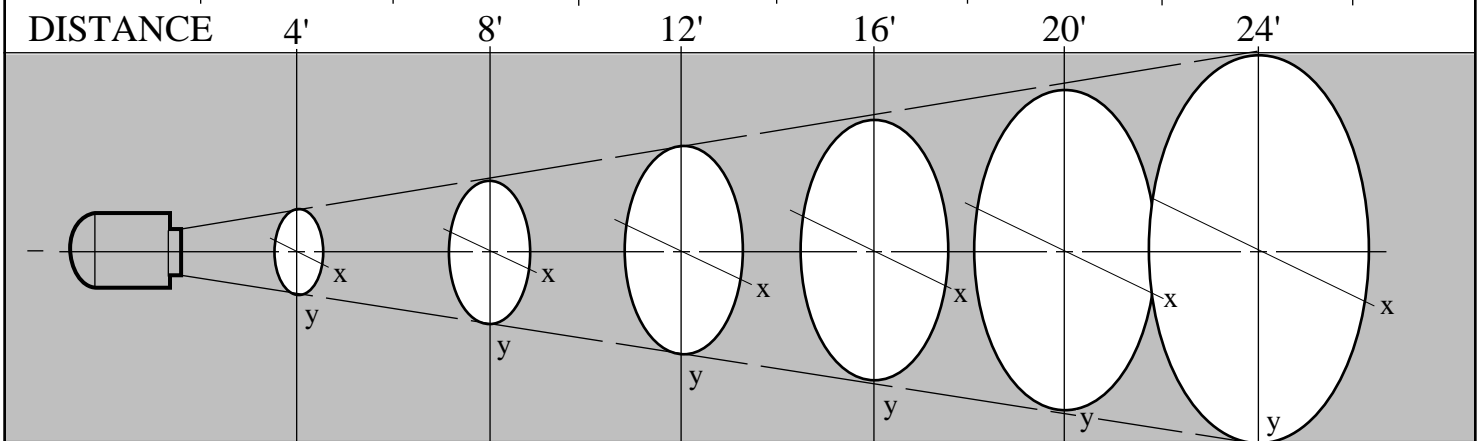
SIDE VIEW



FRONT VIEW

BEAM PATTERN

LAMP	x A y	x B y	x C y	x D y	x E y	x F y	COLOUR TEMP.
FCM - Q1000 T 3/4 CL	5.9 x 5.2	11.8 x 10.4	17.3 x 15.6	23.1 x 20.6	29.0 x 26.0	33.0 x 30.0	3200 K
							K
							K
							K



LAMP	F.C. A	F.C. B	F.C. C	F.C. D	F.C. E	F.C. F	TYPE
FCM - Q1000 T 3/4 CL	530	150	68	42	25	15	QUARTZ



760 Bayview Drive, Barrie, Ontario L4N 9A6 Tel:(705)739-7886 Fax:(705)739-1067
 Toll Free:1-877-MCLIGHT (625-4448) E-mail:mcl@mclights.com Web:http://www.mclights.com

Moving at the speed of light...