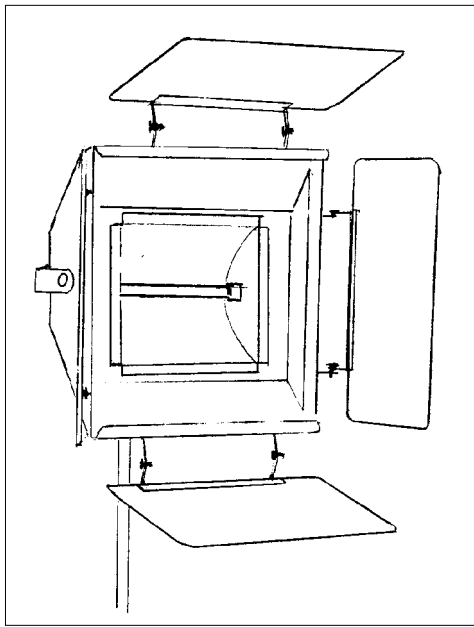
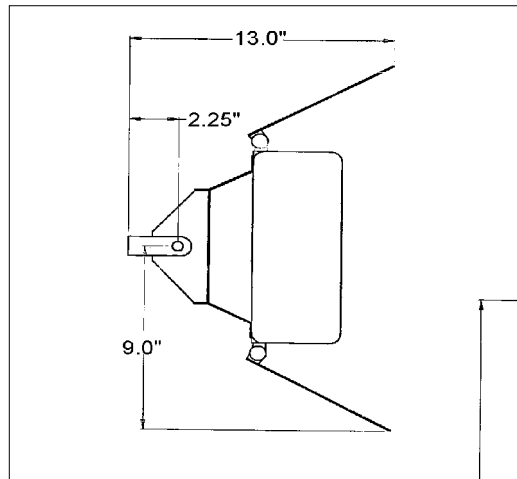


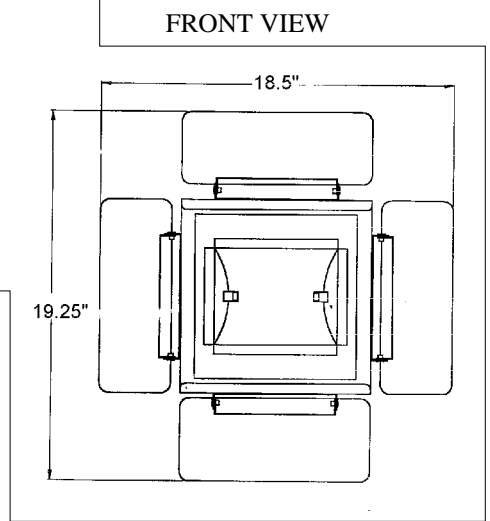
MODEL # L2200



1000 Watt BACK LIGHT



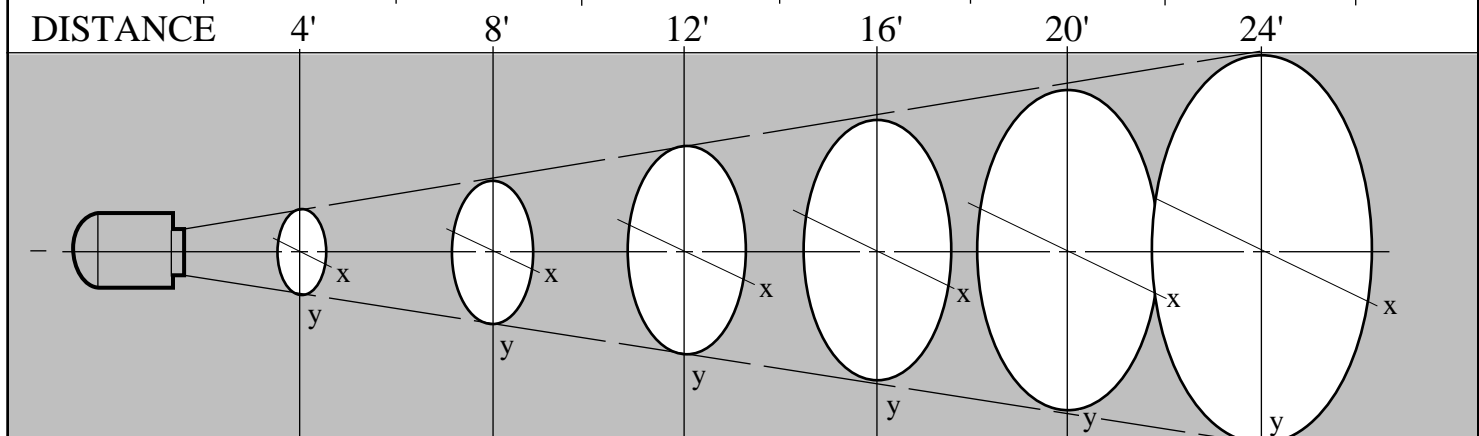
SIDE VIEW



FRONT VIEW

BEAM PATTERN

LAMP	x A y	x B y	x C y	x D y	x E y	x F y	COLOUR TEMP.
Q1000 T / 3.	5.1 x 3.0	10.2 x 5.6	15.4 x 8.9	20.5 x 11.0	26.0 x 14.3	31.0 x 17.3	3200 K
							K
							K
							K



LAMP	F.C. A	F.C. B	F.C. C	F.C. D	F.C. E	F.C. F	TYPE
Q1000 T / 3.	933	244	109	61	39	26	



760 Bayview Drive, Barrie, Ontario L4N 9A6 Tel:(705)739-7886 Fax:(705)739-1067
 Toll Free:1-877-MCLIGHT (625-4448) E-mail:mcl@mclights.com Web:http://www.mclights.com

Moving at the speed of light...