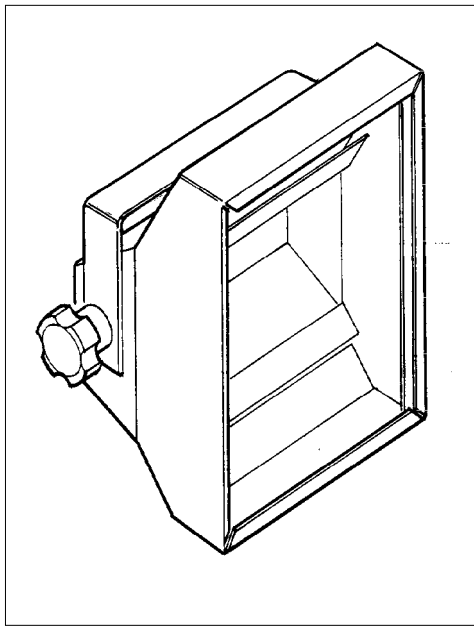
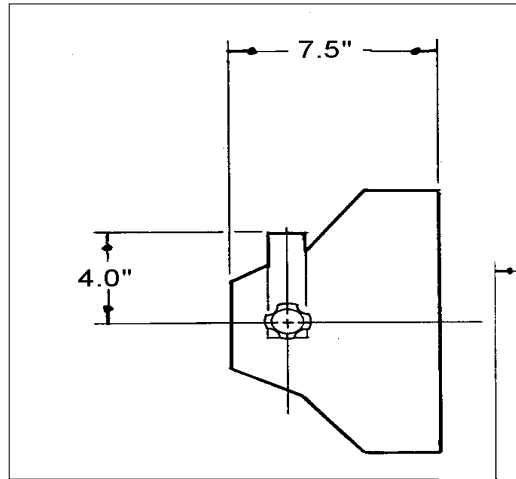


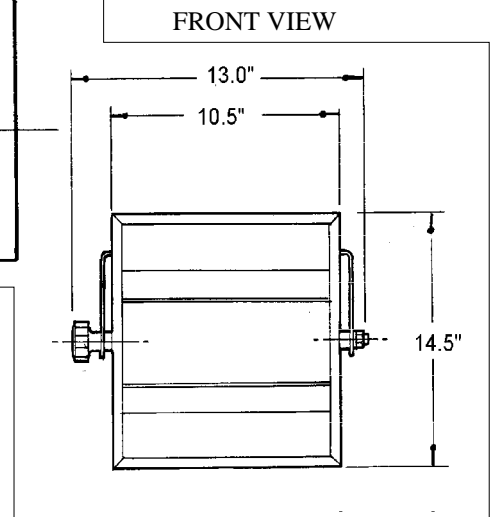
**MODEL # L4100**



1000 Watt Cyclorama Strip Lights



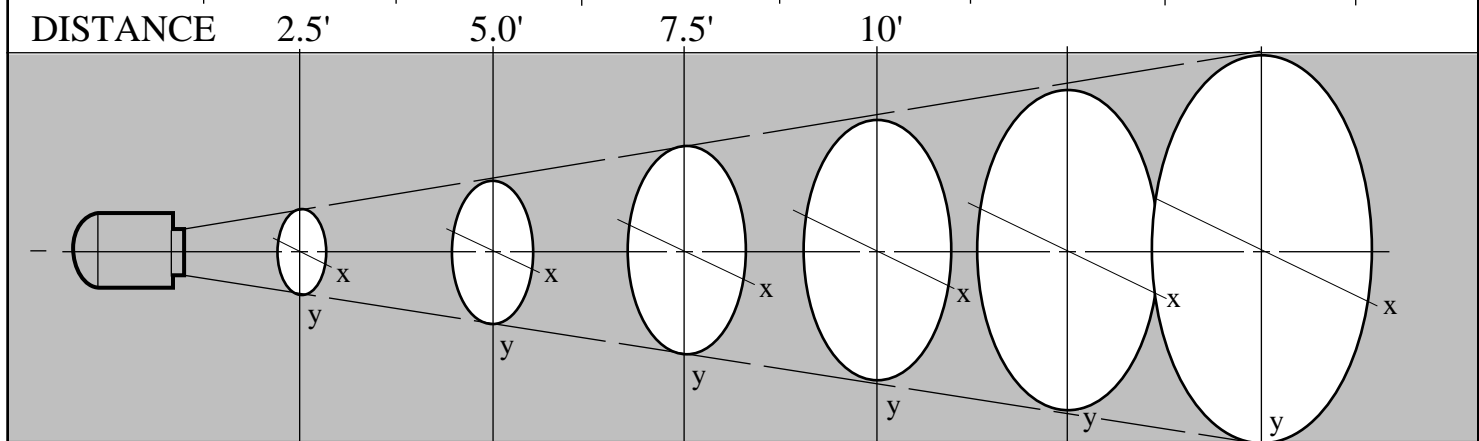
SIDE VIEW



FRONT VIEW

**BEAM PATTERN**

LAMP	x A y	x B y	x C y	x D y		COLOUR TEMP.
Q1000 T / 3.	3.4 x 4.3	6.9 x 8.9	10.3 x 12.9	13.9 x 18.2		K
						K
						K
						K



LAMP	F.C. A	F.C. B	F.C. C	F.C. D	F.C. E	F.C. F	TYPE
Q1000 T / 3.	1,290	320	140	80			QUARTZ



760 Bayview Drive, Barrie, Ontario L4N 9A6 Tel:(705)739-7886 Fax:(705)739-1067  
 Toll Free:1-877-MCLIGHT (625-4448) E-mail:mcl@mclights.com Web:http://www.mclights.com

Moving at the speed of light...