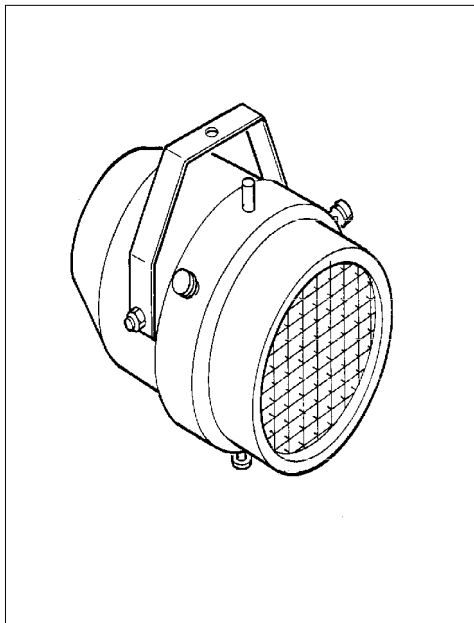
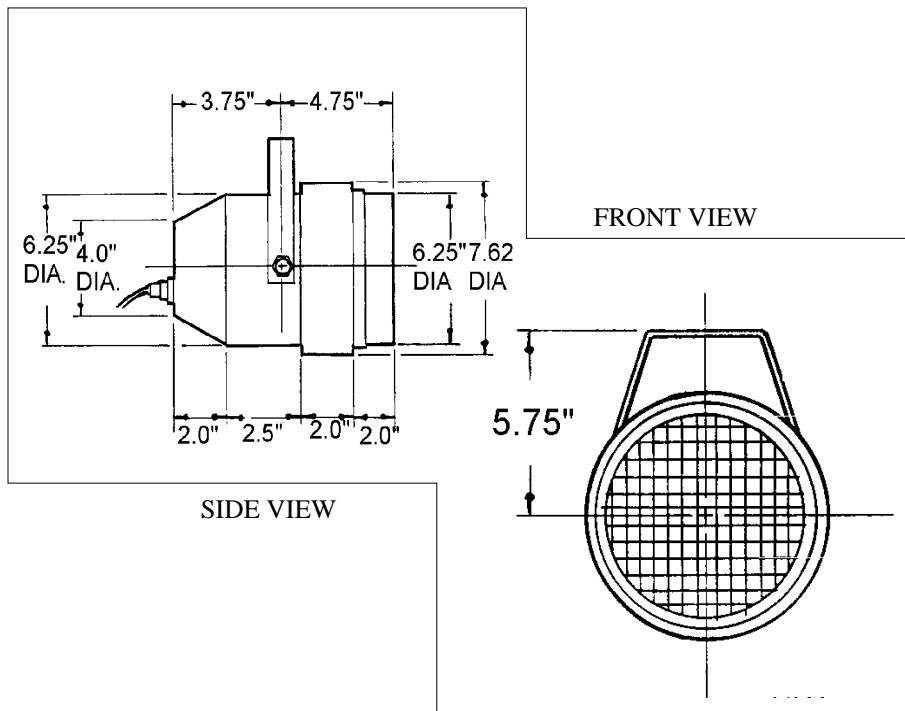


MODEL # L1002

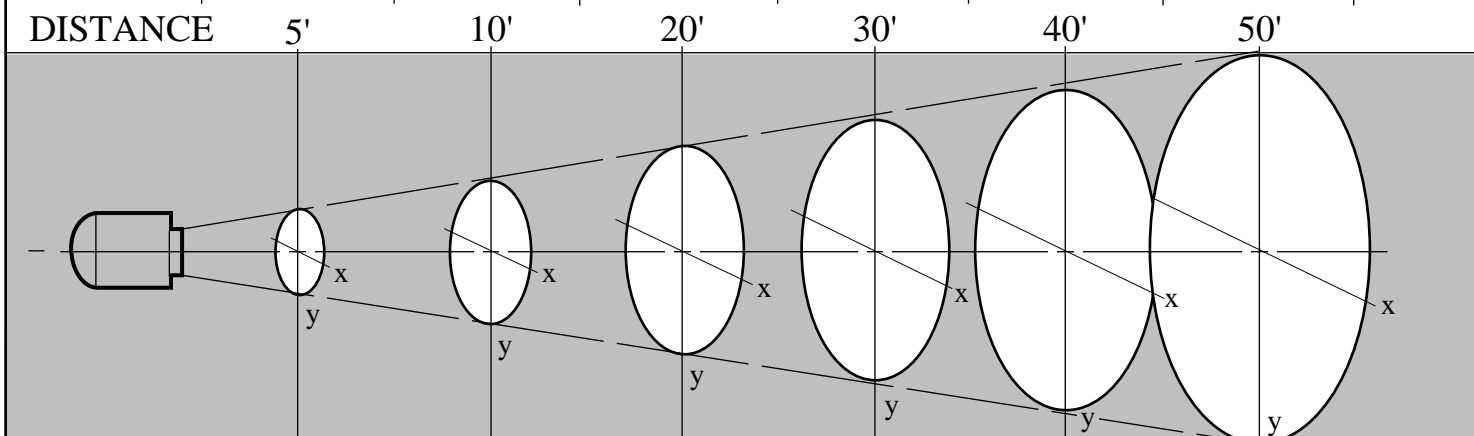


PAR 56 ARCHITECTURAL



BEAM PATTERN

LAMP	x A y	x B y	x C y	x D y	x E y	x F y	COLOUR TEMP.
Q500-NSP	2.0 x 3.8	2.5 x 5.6	5.3 x 11.5	7.8 x 17.2	10.3 x 23.0	13.2 x 28.6	3000 K
							K
							K
							K



LAMP	F.C. A	F.C. B	F.C. C	F.C. D	F.C. E	F.C. F	TYPE
Q500-NSP	3840	960	240	170	60	38	QUARTZ



760 Bayview Drive, Barrie, Ontario L4N 9A6 Tel:(705)739-7886 Fax:(705)739-1067
 Toll Free:1-877-MCLIGHT (625-4448) E-mail:mcl@mclights.com Web:http://www.mclights.com

Moving at the speed of light...