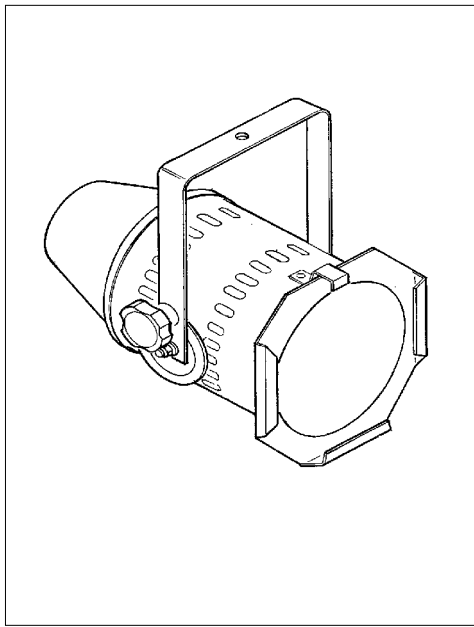
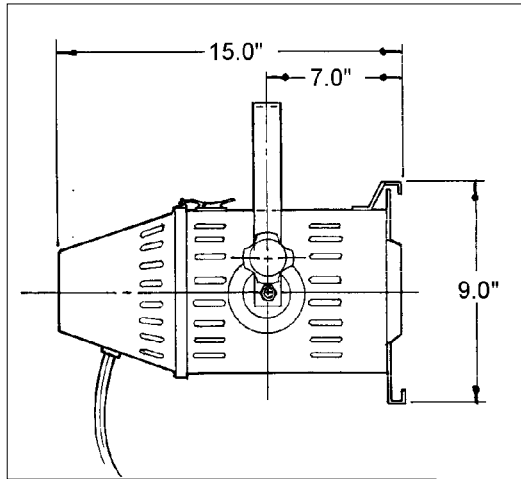


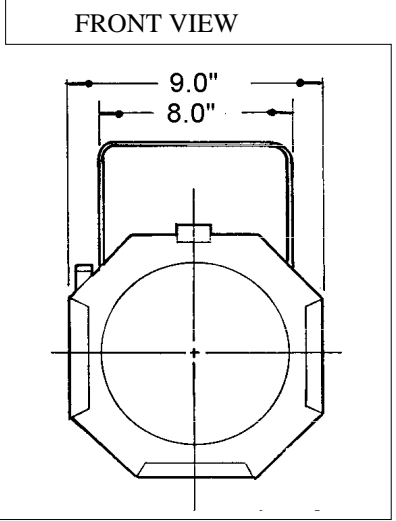
MODEL # L1500



PAR 56



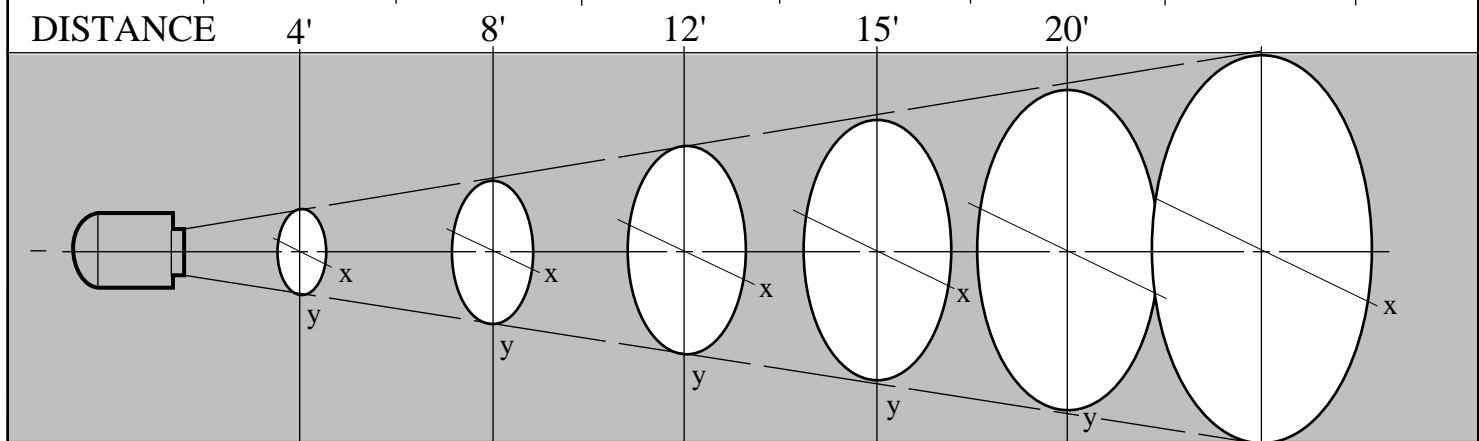
SIDE VIEW



FRONT VIEW

BEAM PATTERN

LAMP	Ø A	Ø B	Ø C	Ø D	Ø E	Ø F	COLOUR TEMP.
300 - PNSP	1.75	3.20	4.70	6.20			2750K
Q500 - NSP	3.25	6.25		8.75	12.0		2750K
							K
							K



LAMP	F.C. A	F.C. B	F.C. C	F.C. D	F.C. E	F.C. F	TYPE
300 - PNSP	4255	1065	475	300			
Q500 - NSP	3845	965		425	245		



760 Bayview Drive, Barrie, Ontario L4N 9A6 Tel:(705)739-7886 Fax:(705)739-1067
 Toll Free:1-877-MCLIGHT (625-4448) E-mail:mcl@mclights.com Web:http://www.mclights.com

Moving at the speed of light...