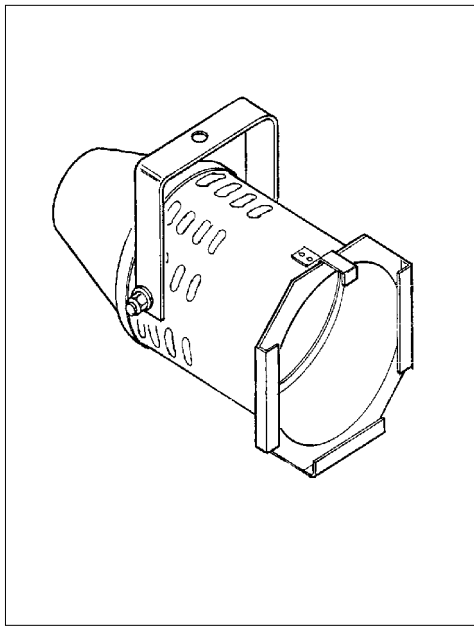
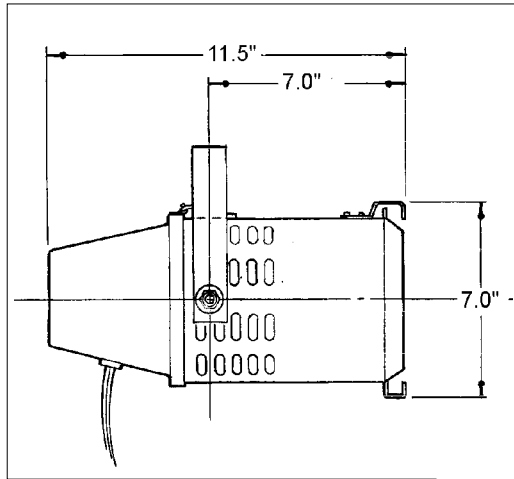


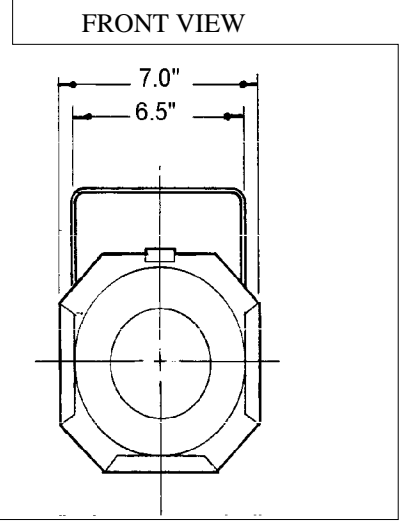
**MODEL # L1600**



PAR 46



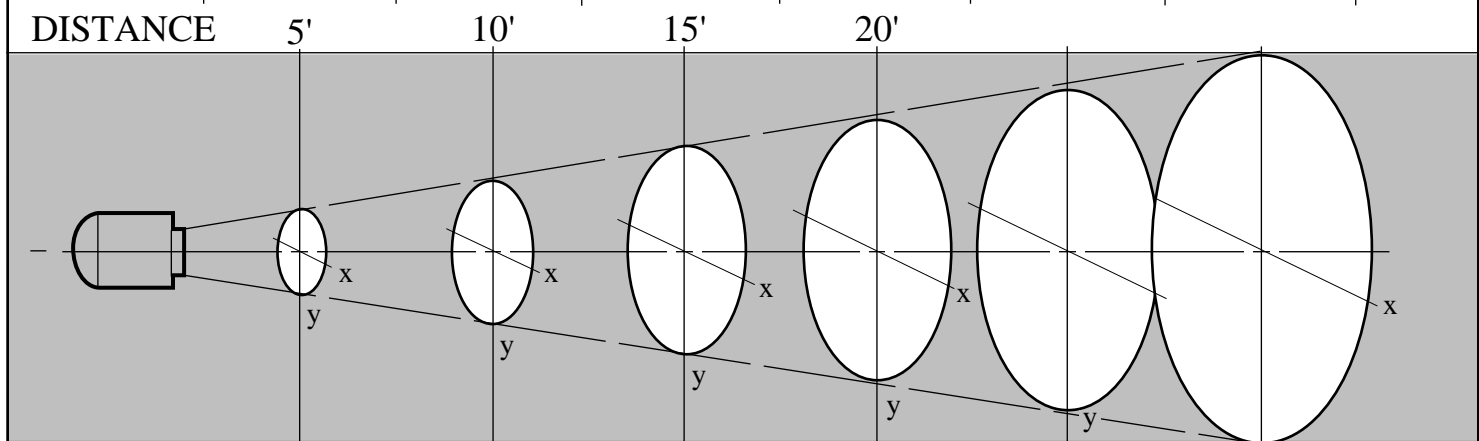
SIDE VIEW



FRONT VIEW

**BEAM PATTERN**

LAMP	Ø A	Ø B	Ø C	Ø D	Ø E	Ø F	COLOUR TEMP.
200 - 3NSP	2.25	4.20	6.15	8.10			2750K
200 - 3MFL	3.25	7.10	10.09	14.50			2750K
							K
							K



LAMP	F.C. A	F.C. B	F.C. C	F.C. D	F.C. E	F.C. F	TYPE
200 - 3NSP	1445	365	165	95			
200 - 3MFL	423	108	47	27			



760 Bayview Drive, Barrie, Ontario L4N 9A6 Tel:(705)739-7886 Fax:(705)739-1067  
 Toll Free:1-877-MCLIGHT (625-4448) E-mail:mcl@mclights.com Web:http://www.mclights.com

Moving at the speed of light...